

Nez Court. ASA A2.8°

Cône métrique 5%

①

Ø 91

⑤

918A60 9 Courroies TEXROPE SPZ 01600 10x8
10A75 9 Courroies TEXROPE SPZ 01800 10x8

Timken
48290
48220B

1487A60

I 13790

488 A60

467A60

125 e

468 A60

166 B60

1469 A60

140 e

210 i

16028

1490A60

I 13790

1489A60

Paulstra
IE 722113

1491 A60

1492 A60

16026

130 e

472 A60

493A60

110 e

Timken
56425
56650 B

494 A60

495A60

496 A60

Paulstra
IE 722689

503 A60

504 A60

3301A60
18 A75

74A60

I 101140

25e

6305

62i

75A60

470A60

78 A60

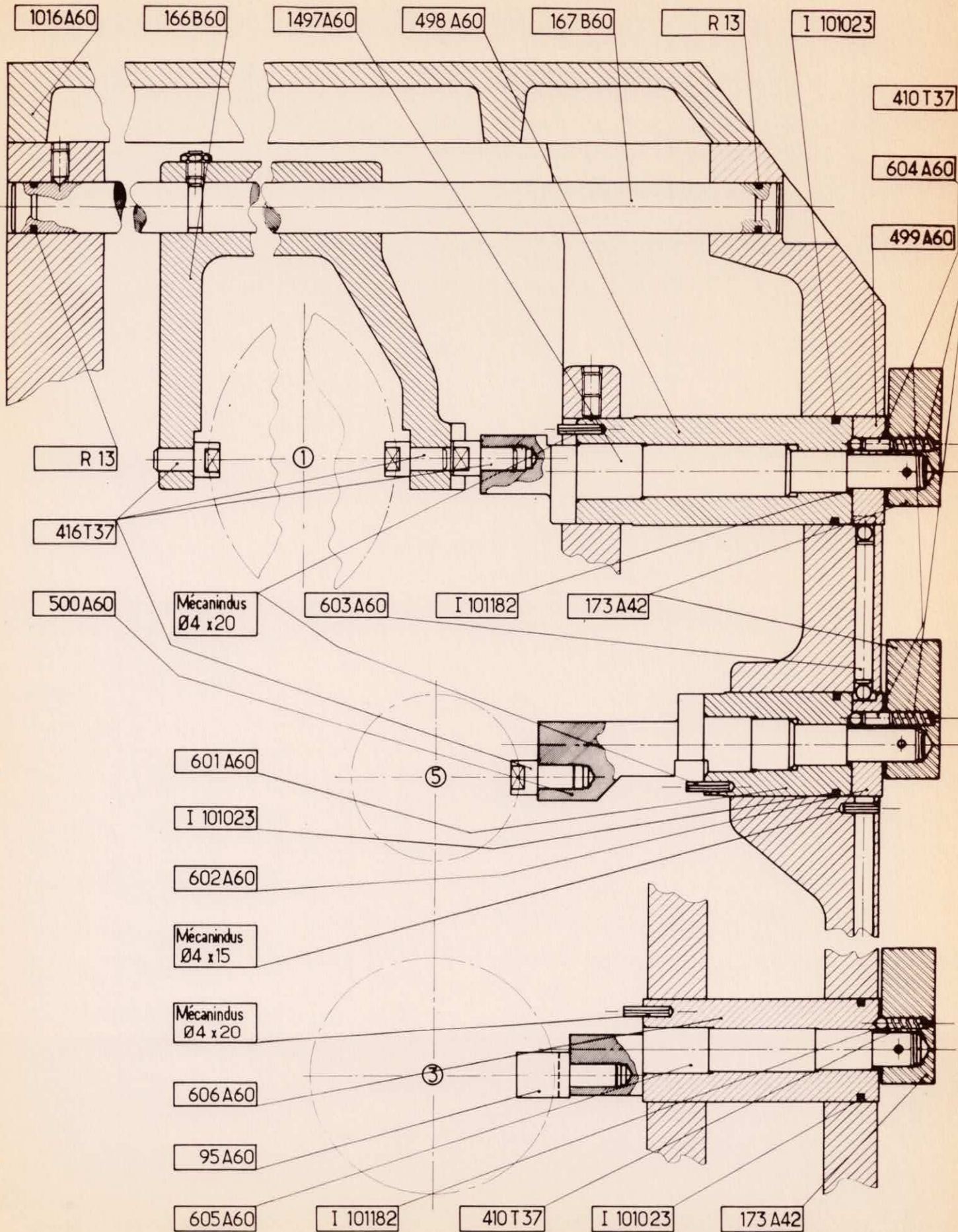
471 A60

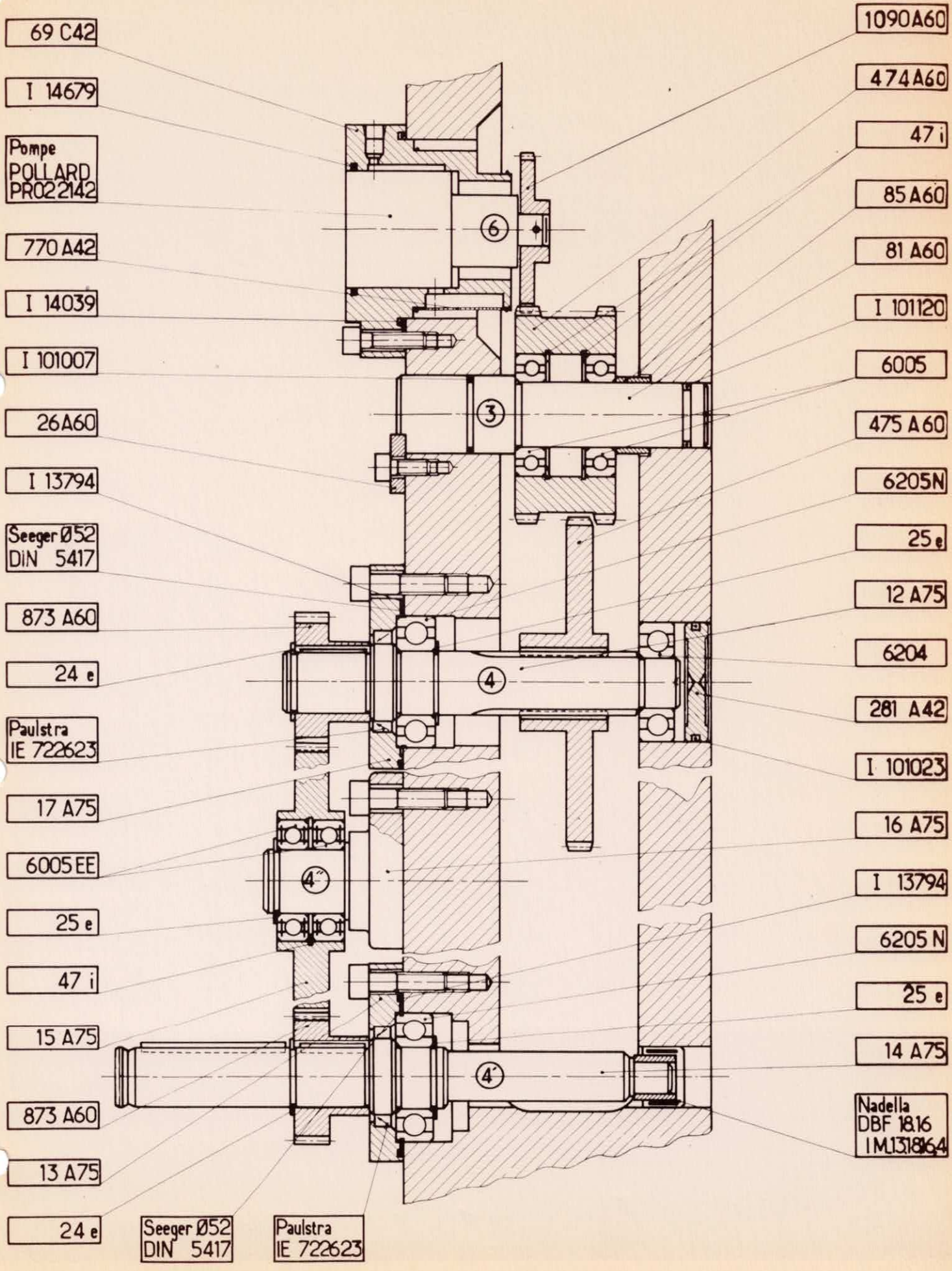
6205

80A60

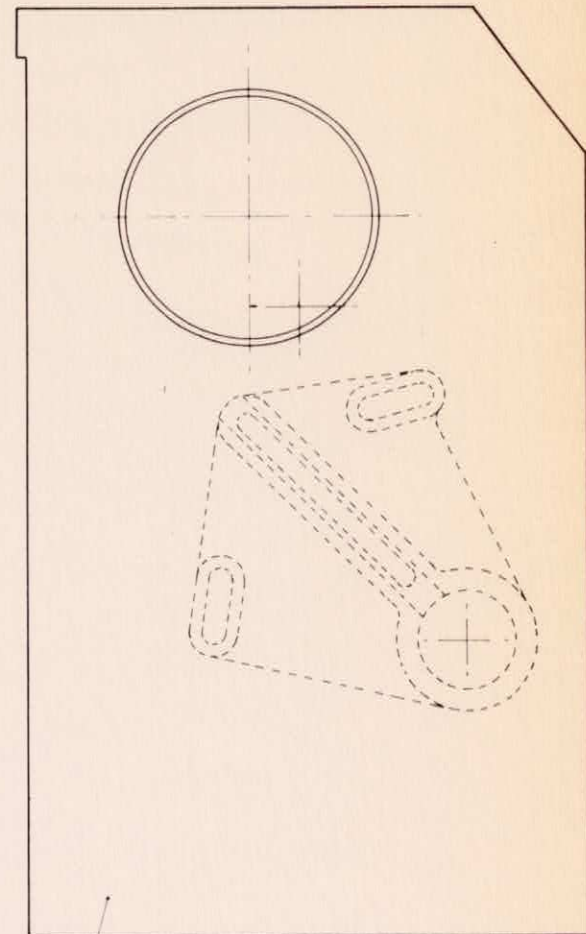
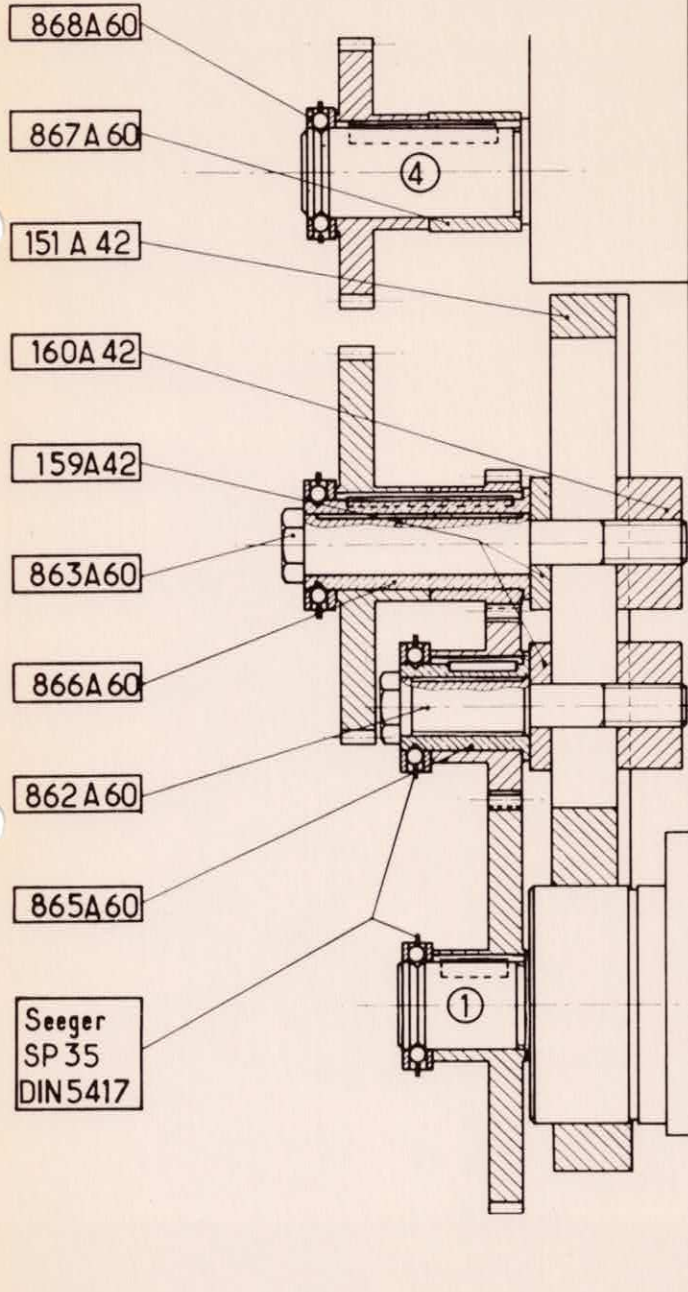
I 7762

②

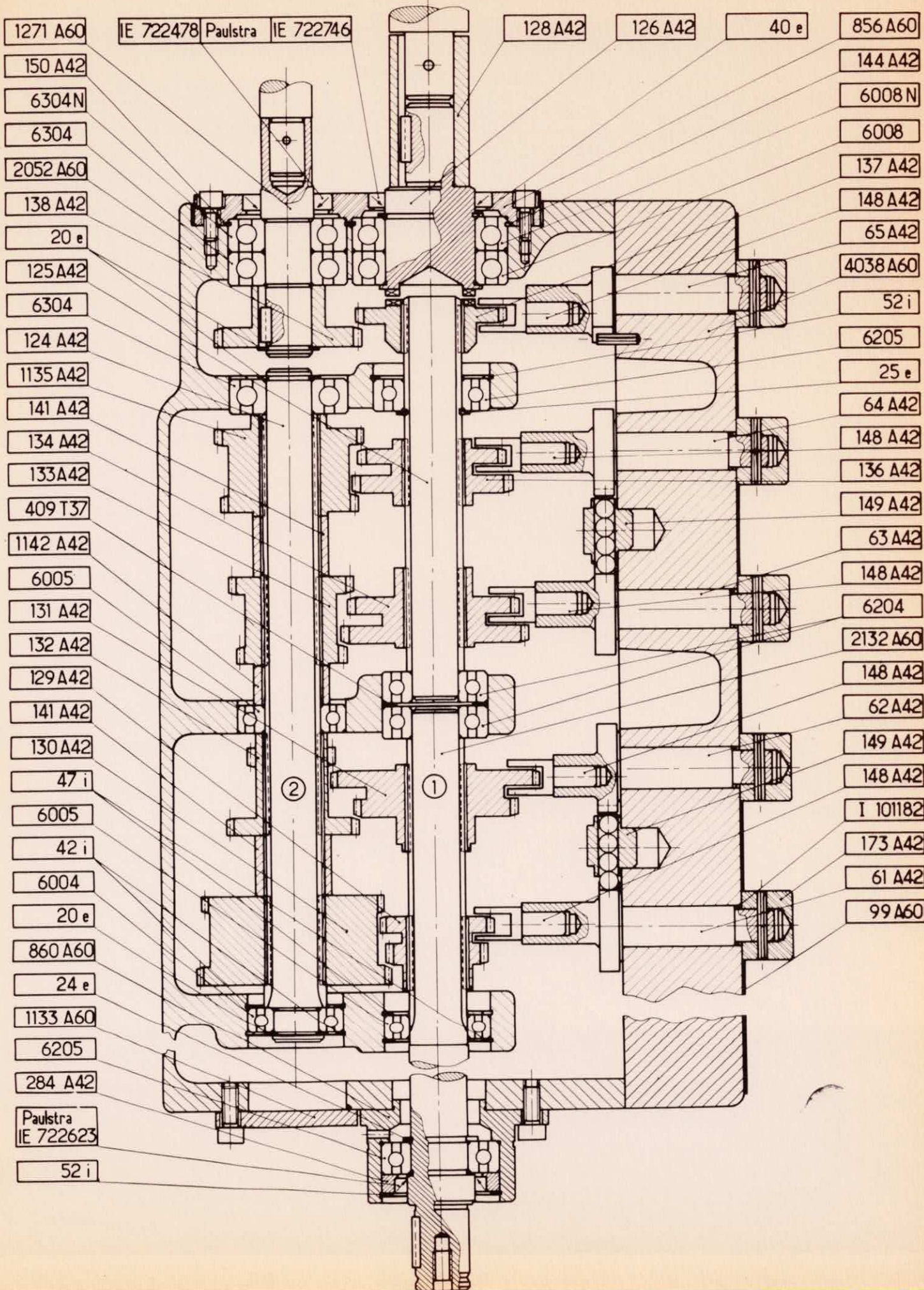


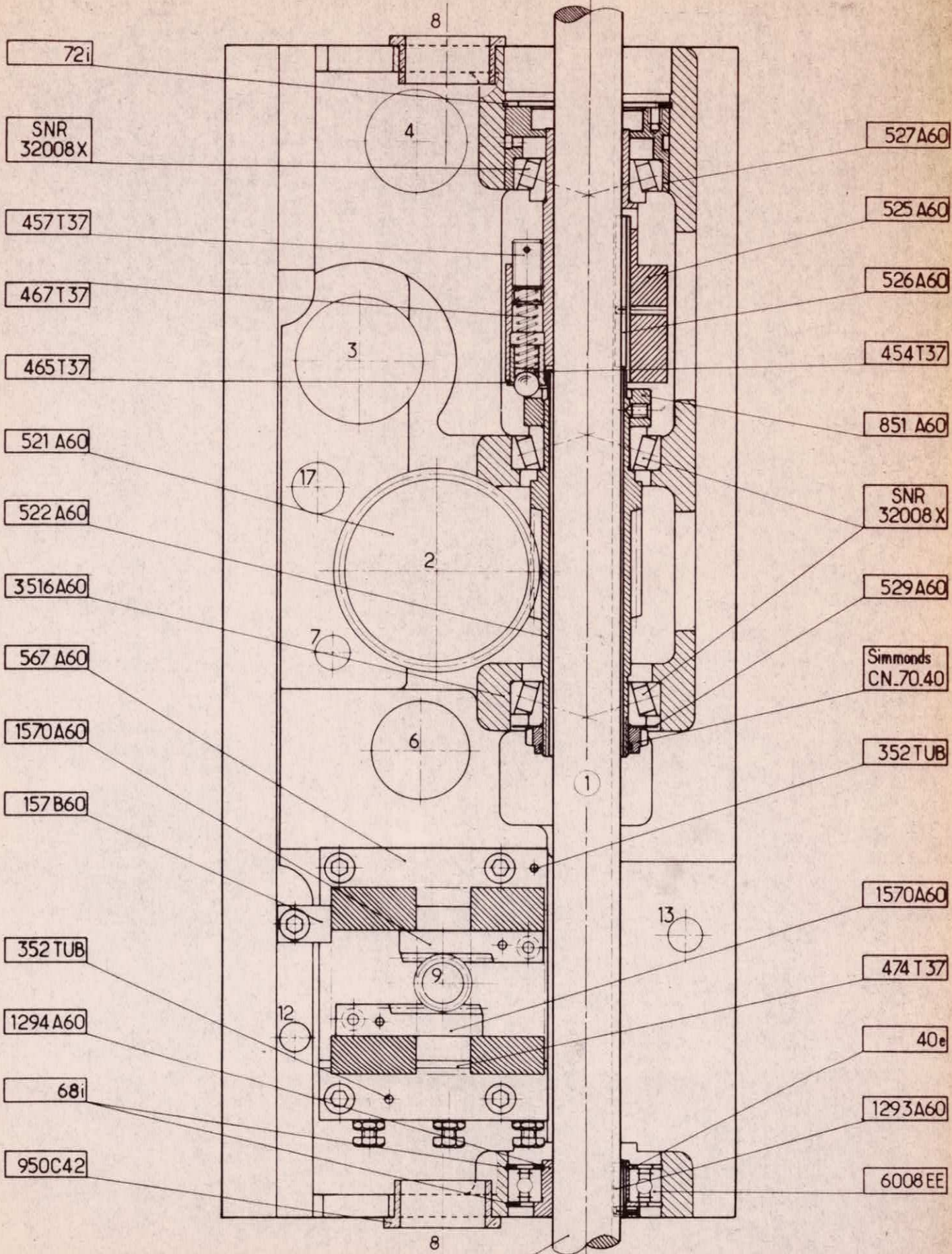


Nombre de dents	Repères
21	869A60
22	870A60
27	871A60
28	872A60
29	873A60
30	874A60
35	875A60
40	876A60
41	877A60
42	878A60
45	879A60
60	880A60
63	881A60
75	882A60

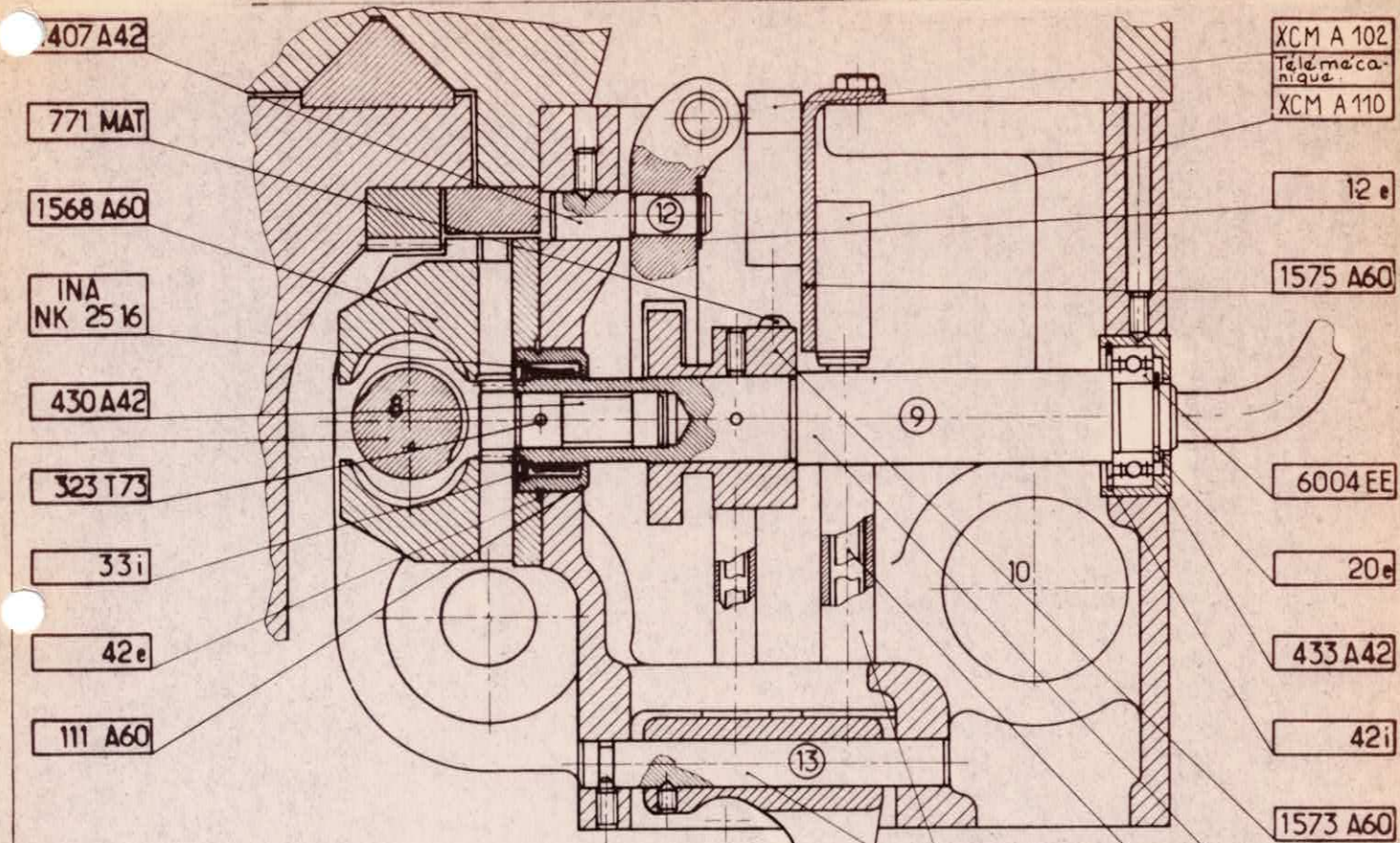


1228A60

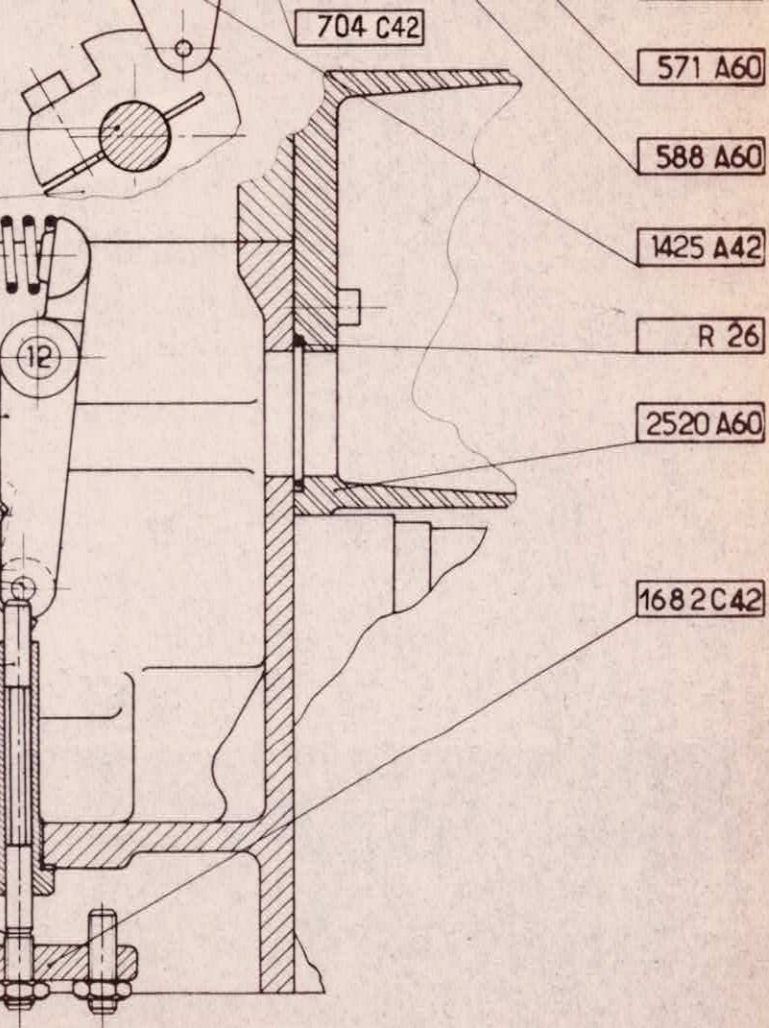


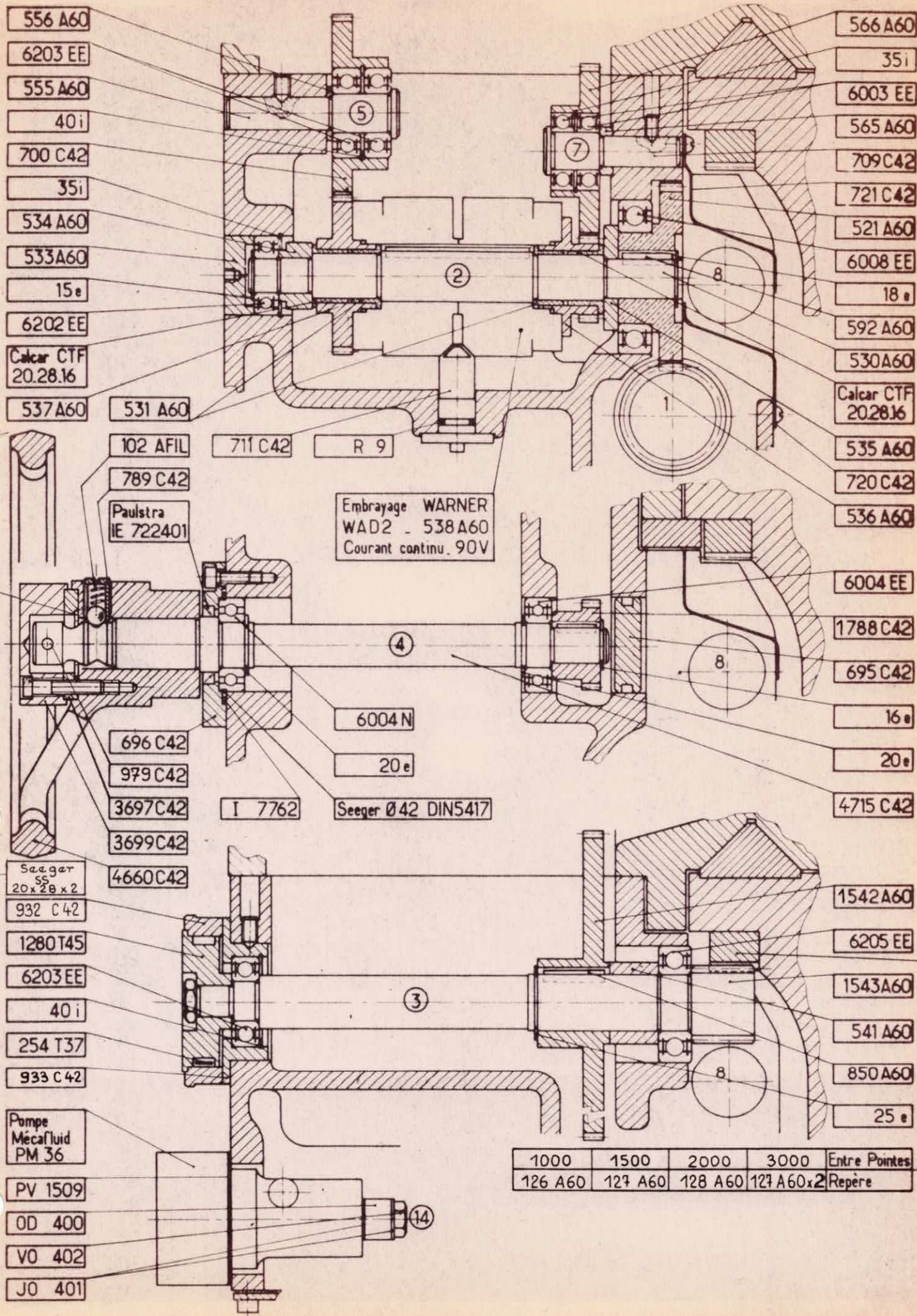


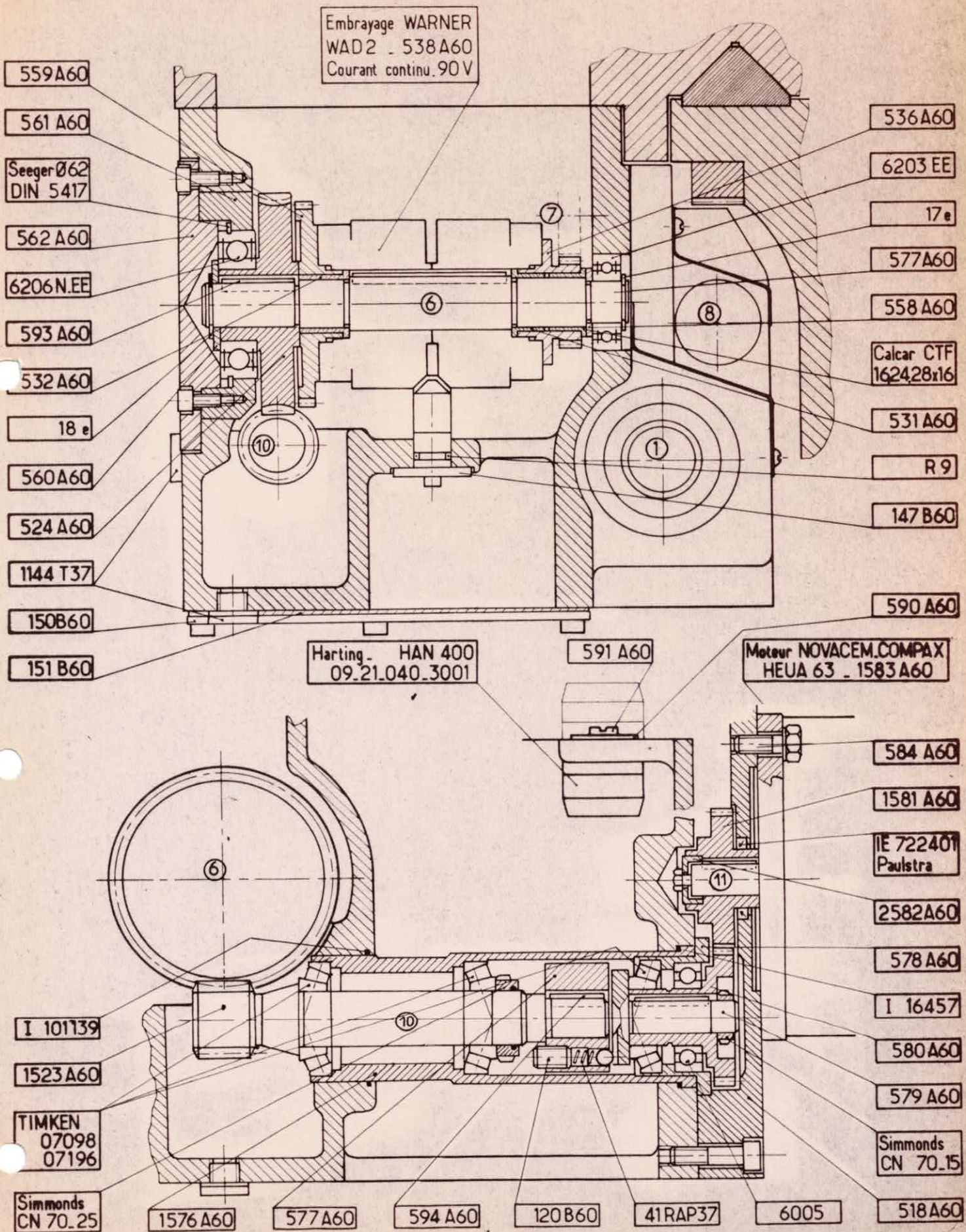
Entre Pointes	1000	1500	2000	3000
Repère	1123A60	1124 A60	2125A60	933A60

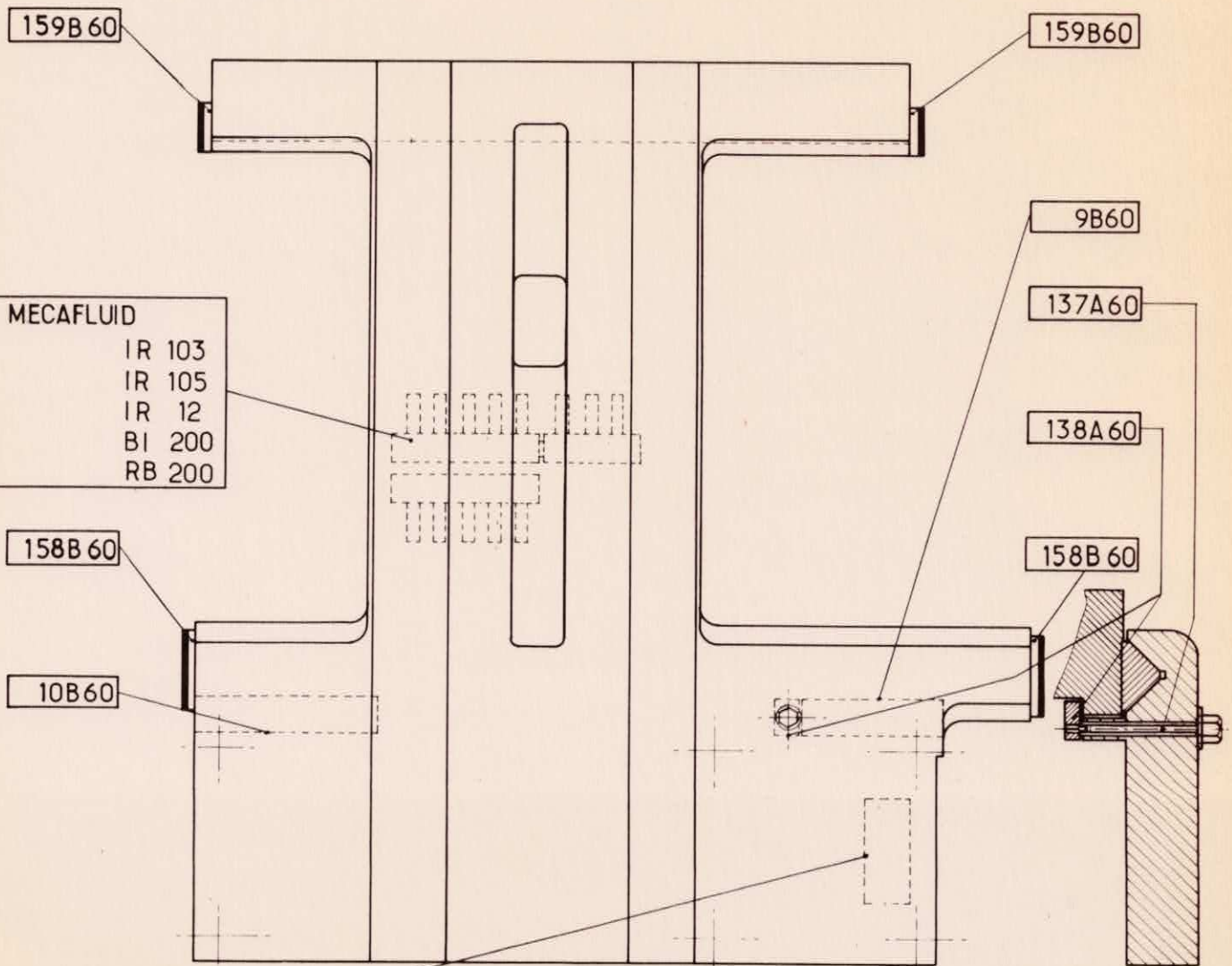
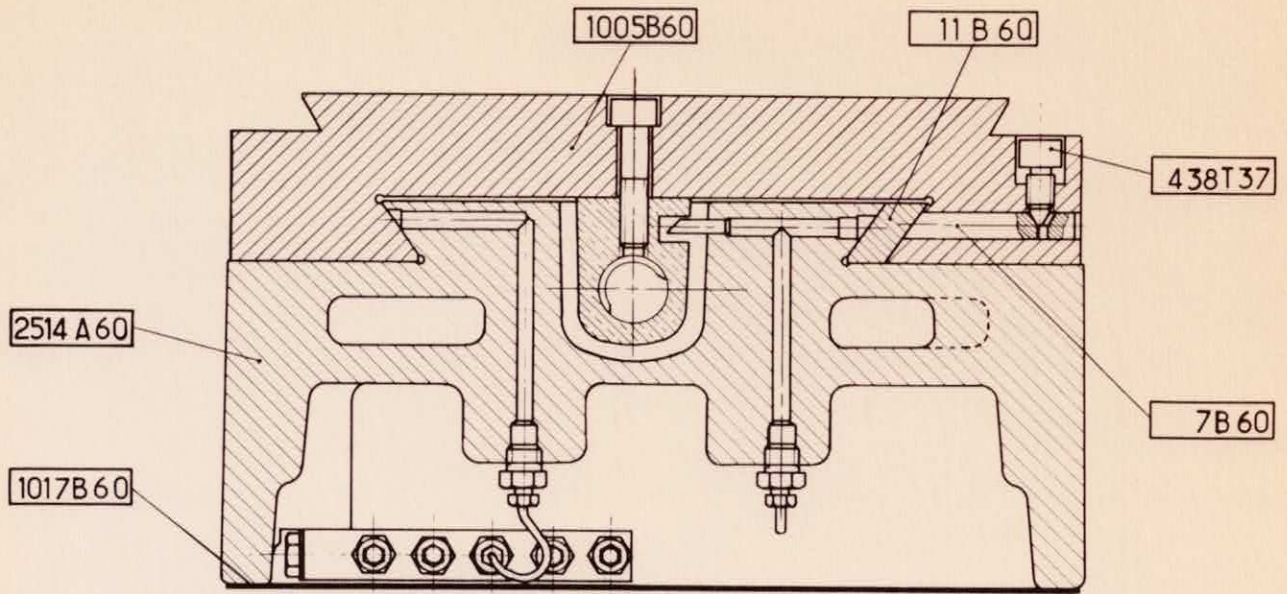


Entre Points	1000	1500	2000	3000
	2129 A60	2130 A60	2131 A60	2930 A60
Repère	181 A60	1671 A60	1672 A60	970 A60
	2894 A42	1842 A60	1843 A60	995 A60





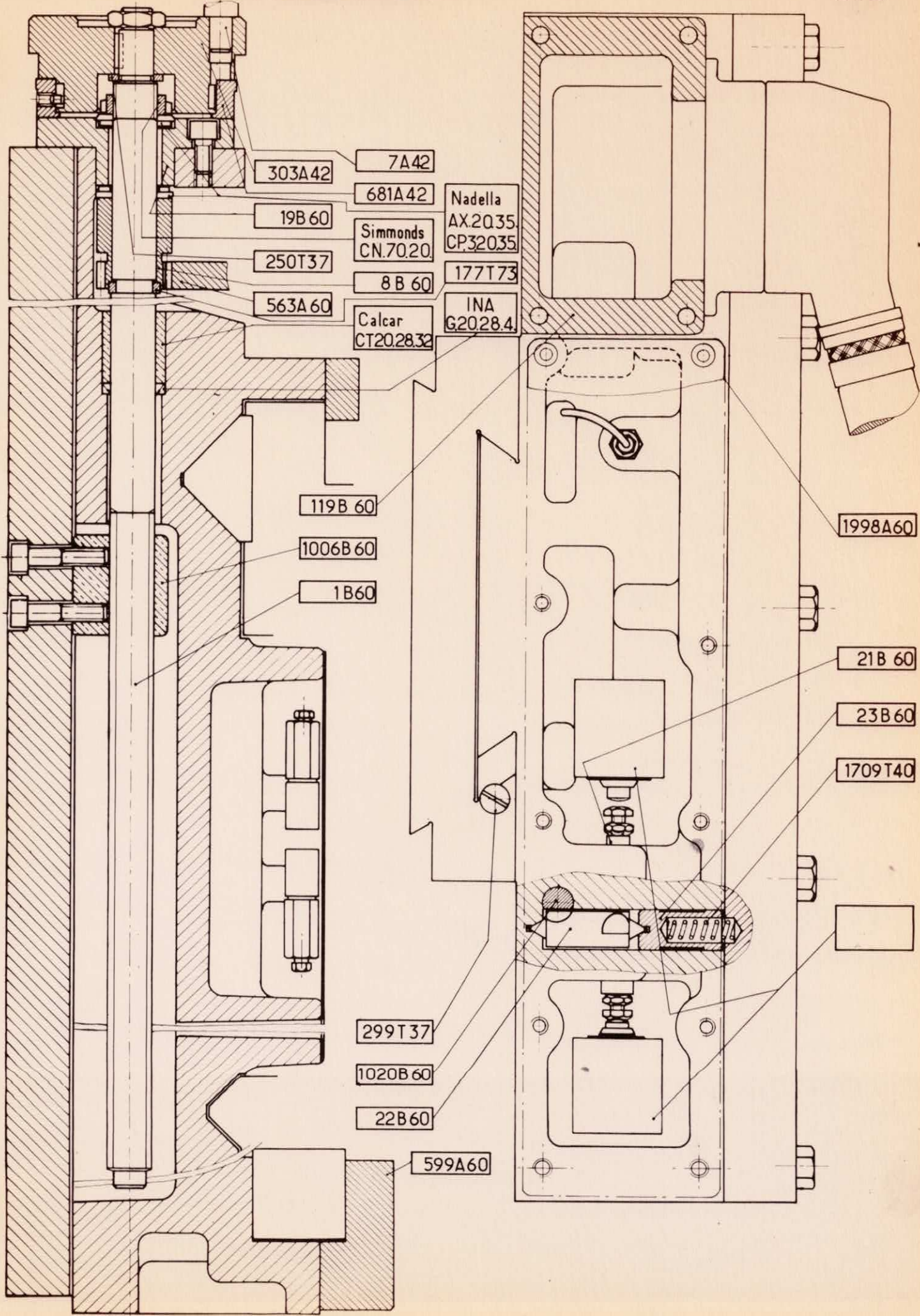


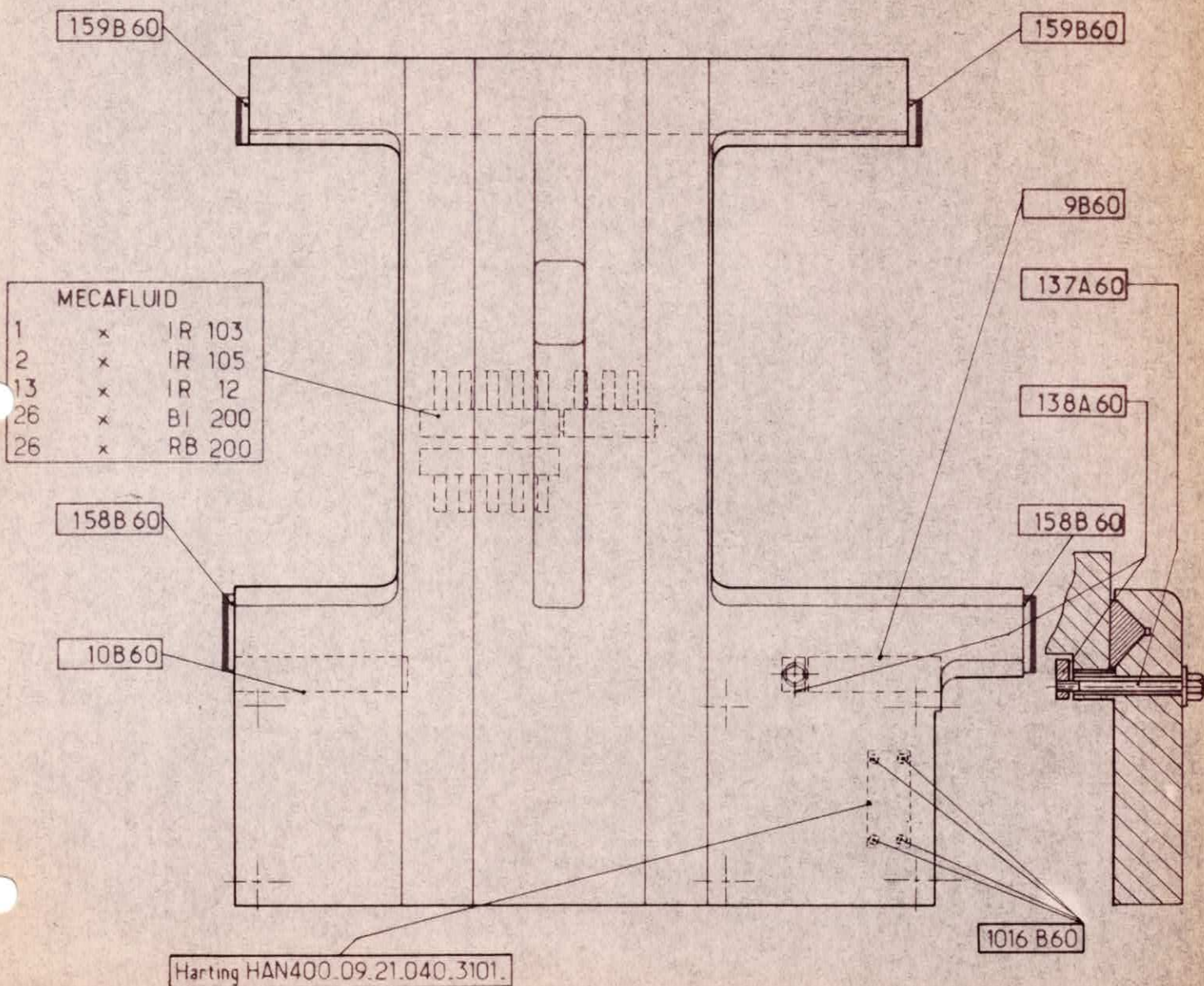
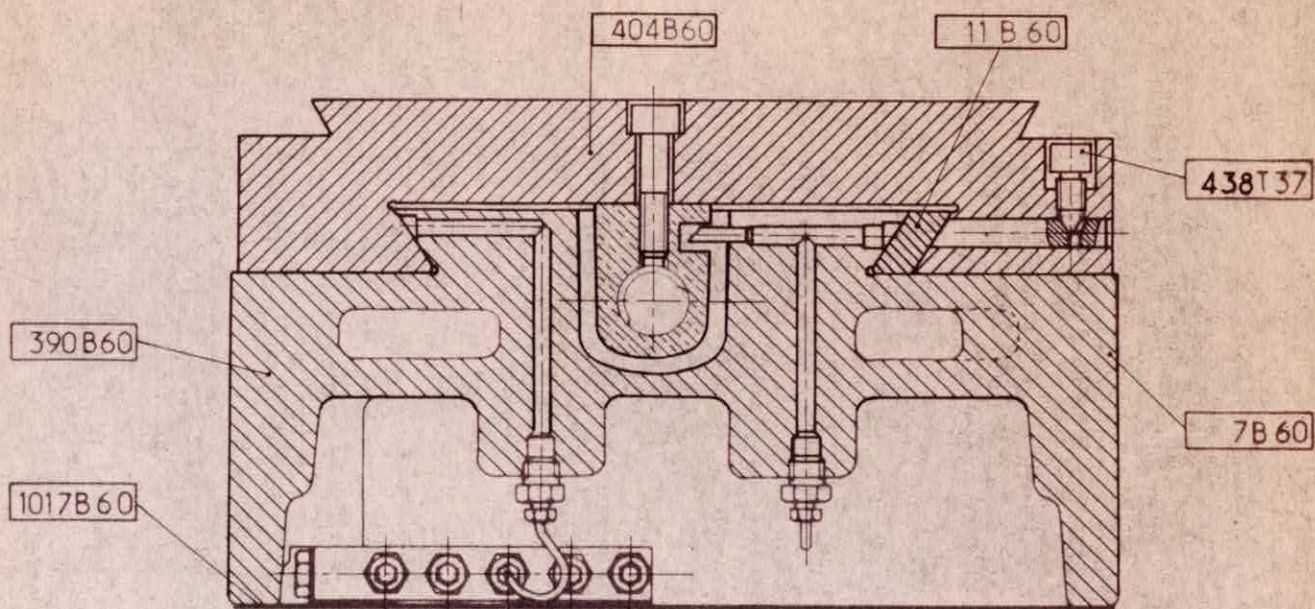


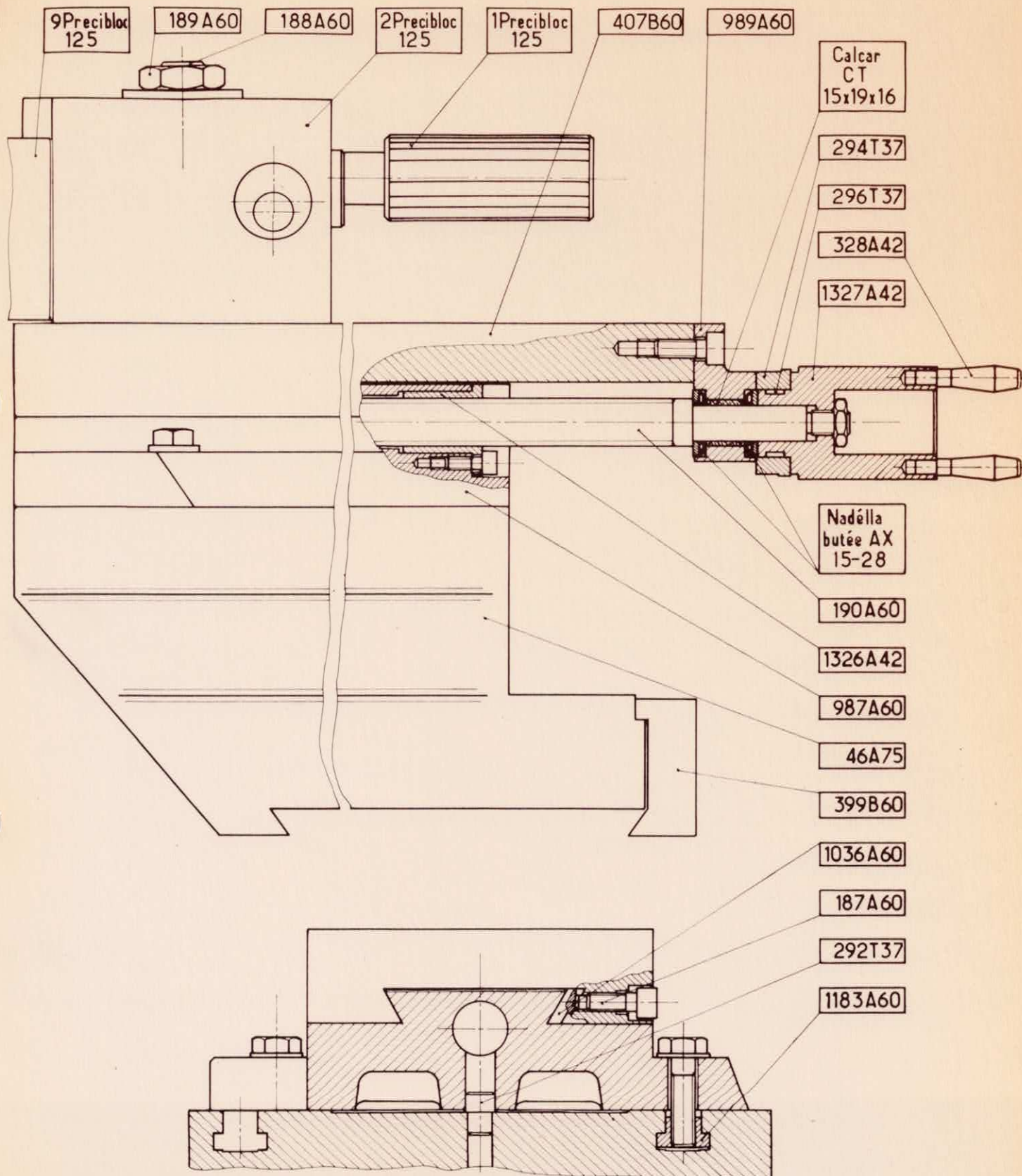
MECAFLUID	
1	IR 103
2	IR 105
13	IR 12
	BI 200
	RB 200

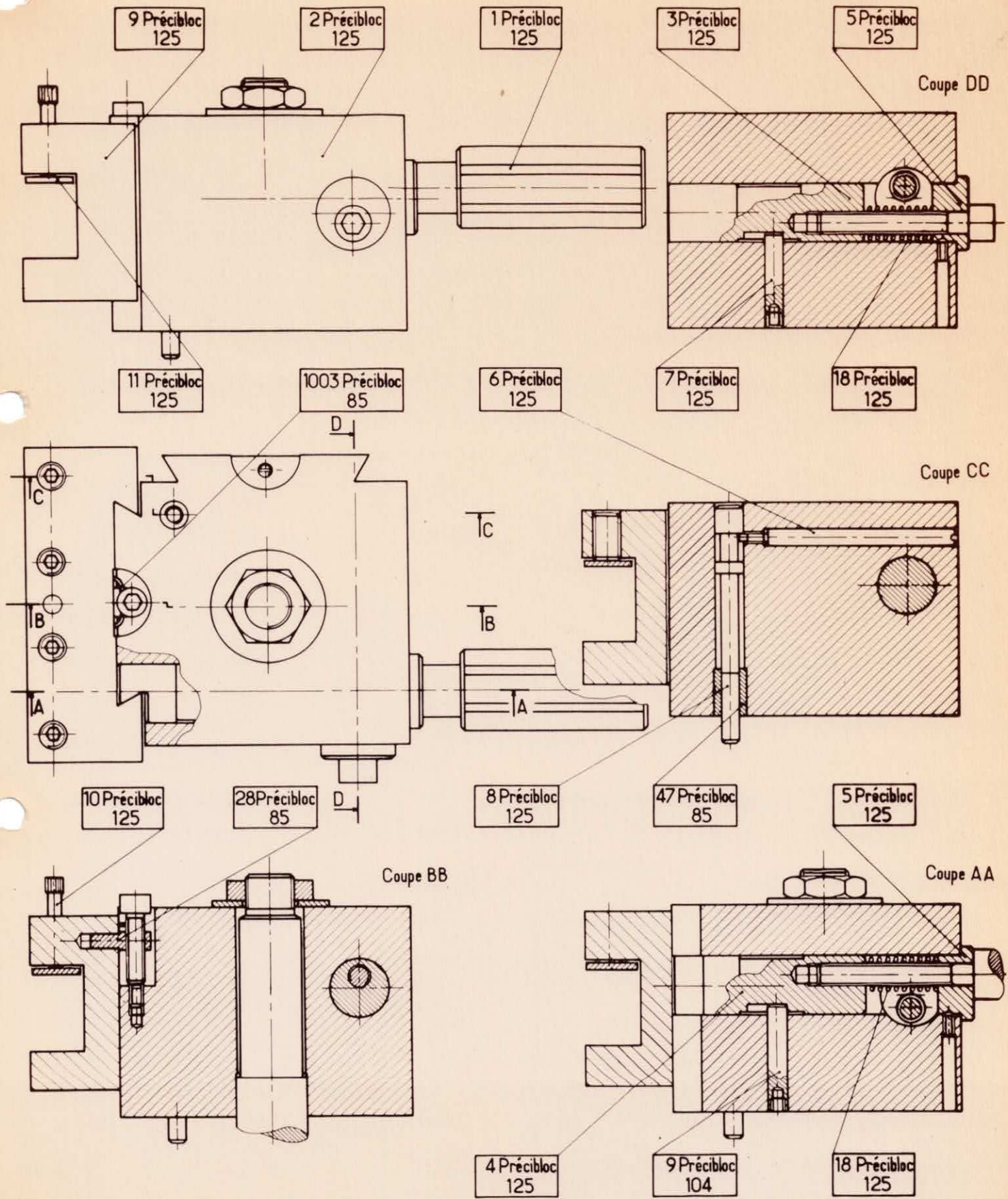
Prise HARTING
Corps mâle 09.21.040.3001.
Corps femelle 09.21.040.3101.

TRAINARD
SADDLE
BETTSCHLITTEN









POUPEE MOBILE TAILSTOCK REITSTOCK

